

NPM

● High Cost Performance ● Low Vibration

2-phase Hybrid Stepping Motor

PJP Series

● Large Thrust Force ● High Resolution ● Simple Mounting

Linear-type Hybrid Stepping Motor

Linearstep PJPL Series





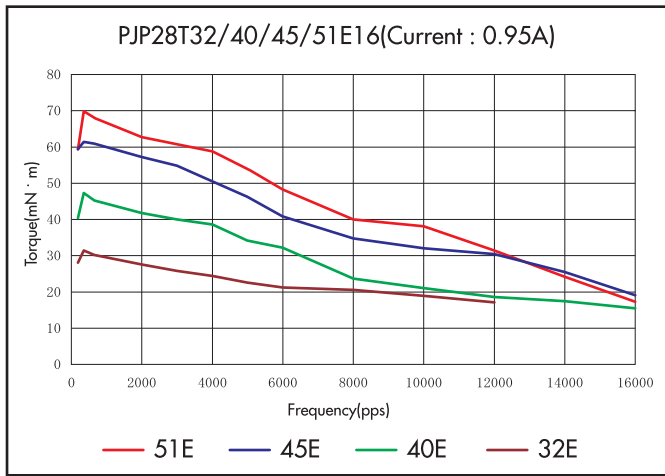
■ Specification (Unipolar Winding) *

		PJP28T				PJP42T			PJP56T					
		32E16	40E16	45E16	51E16	34D16	40D16	49D16	44A16	44B16	55A16	55B16	78A16	78B16
Excitation Mode		2-2 phase												
Step Angle	°	1.8												
Step Angle Tolerance	%	±5												
Step per Revolution		200												
Rated Voltage	V	2.66	3.23	3.71	4.37	2.9	3.6	4.0	2.8	5.7	3.6	7.4	4.5	8.6
Rated Current	A / φ	0.95				1.2			2.0	1.0	2.0	1.0	2.0	1.0
Winding Resistance	Ω / φ	2.8	3.4	3.9	4.6	2.4	3.0	3.3	1.4	5.7	1.8	7.4	2.25	8.6
Winding Inductance	mH / φ	1.0	1.5	1.5	1.7	2.5	2.7	3.7	1.5	5.6	3.2	15.0	3.8	15.2
Max. Holding Torque	N · m	0.045	0.06	0.075	0.09	0.21	0.25	0.37	0.4	0.4	0.85	0.85	1.3	1.35
Rotor Inertia	$\times 10^{-7} \text{kg} \cdot \text{m}^2$	9	12	14	17	36	56	74	120		280		480	
Operating Temperature	°C	-10 ~ + 60												
Insulation Class		Class B (allowable coil temperature)												
Insulation Resistance	MΩ	100MΩ												
Dielectric Strength	AC V	500V 1min.												
Mass	g	110	150	170	195	240	300	400	470		700		1000	

* Bipolar Windings are also available per customers' requests.

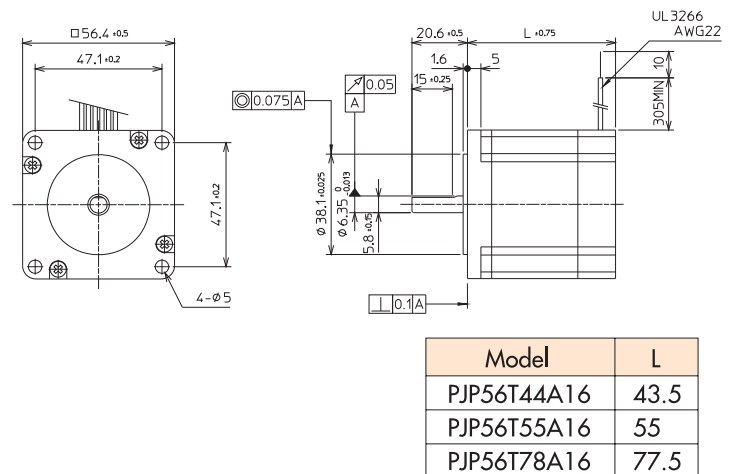
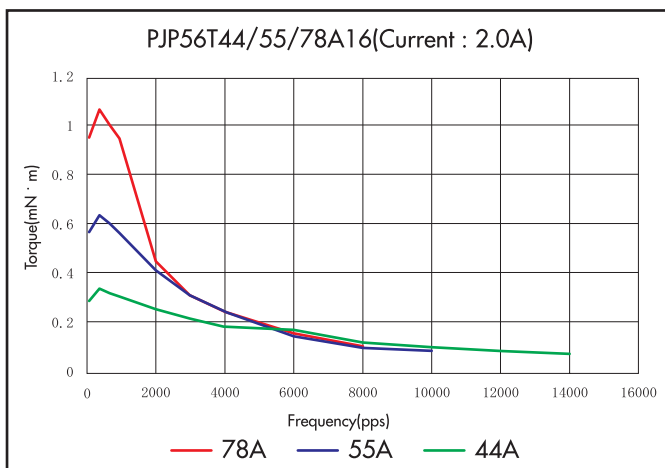
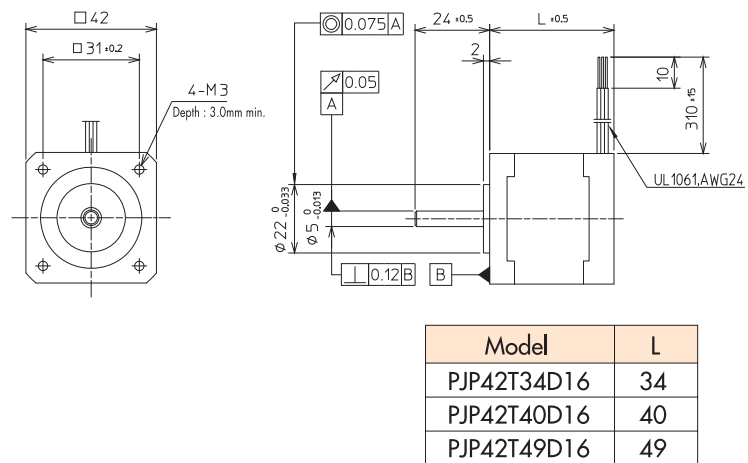
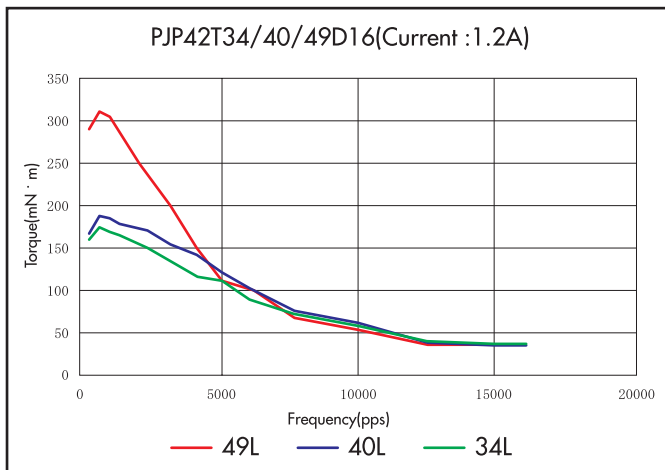
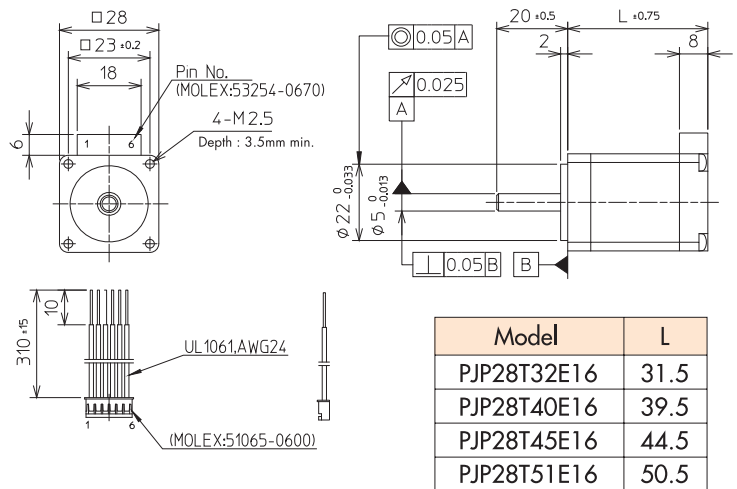
■ Pull-out torque

Drive Condition : 24V, 2-2 ϕ
 Driver : BCD4020UT (Unipolar Rated Current)



■ Dimensions (mm) *

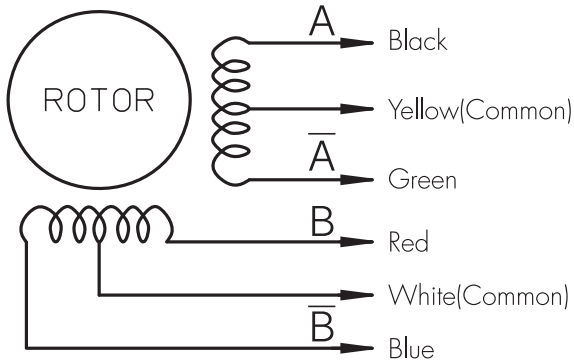
Double shaft options are available per customers' requests



PJP Series

Connection Diagram

Unipolar



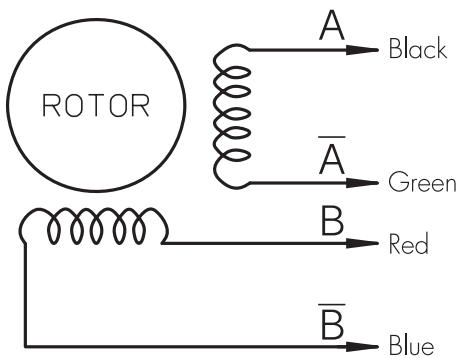
Rotation Direction (Viewed from the front side)

NO	Black	Green	Red	Blue	NO
1	ON	OFF	ON	OFF	4
2	OFF	ON	ON	OFF	3
3	OFF	ON	OFF	ON	2
4	ON	OFF	OFF	ON	1

CW
↓

↑
CCW

Bipolar



Rotation Direction (Viewed from the front side)

NO	Black	Green	Red	Blue	NO
1	+	-	+	-	4
2	-	+	+	-	3
3	-	+	-	+	2
4	+	-	-	+	1

CW
↓

↑
CCW

PJP series model number designation

PJP 42 T 40 D 1 6 (- xx)

① ② ③ ④ ⑤ ⑥ ⑦ ⑧

①	Series Name
②	Motor Size 28 : □28mm 42 : □42mm 56 : □56mm
③	Motor Design Version
④	Motor Case Length □28 → 32 : 31.5mm 40 : 39.5mm 45 : 44.5mm 51 : 50.5mm □42 → 34 : 34mm 40 : 40mm 49 : 49mm □56 → 44 : 43.5mm 55 : 55mm 78 : 77.5mm
⑤	Winding Specification (A : 2A, B : 1A, C : 0.5A, D : 1.2A, E : 0.95A)
⑥	Shaft Type (1 : Single Shaft, 2 : Double Shaft)
⑦	Number of Lead wire (6 : 6-wire for Unipolar, 4 : 4-wire for Bipolar)
⑧	Number for Custom-made Model (blank = std)